



mod./mod  
**JUMBO BP**

VASO CON VALVOLA DI SCARICO, A RICHIESTA ●  
OPTIONAL BOWL DRAIN ●

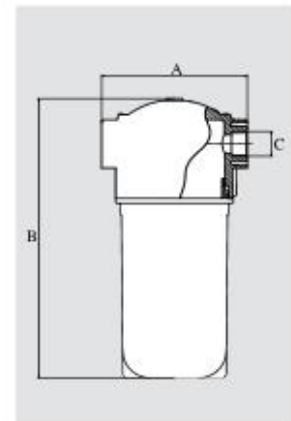
mod./mod **JUMBO by-pass BSP/NPT**

Valvola di sfogo pressione in plastica / plastic pressure relief valve

Ingressi / Inlet	Diam./Ø - Diam./Ø	Vaso / bowl
Plastica/ Plastic	1" (BSP-NPT)	10"/ 20"
Plastica/ Plastic	1-1/4" (BSP-NPT)	10"/ 20"
Plastica/ Plastic	1" (BSP-NPT)	10"/ 20"
Plastica/ Plastic	1-1/4" (BSP-NPT)	10"/ 20"
Plastica/ Plastic	1" (BSP-NPT)	10"/ 20"
Plastica/ Plastic	1-1/4" (BSP-NPT)	10"/ 20"

Dati tecnici / technical data

Testa / Head	Polipropilene talco / talc polypropylene
Ghiera / Ring nut	Polipropilene talco / talc polypropylene
Vaso / Bowl	SAN trasparente / SAN clear transparent. PP opaco bianco / PP white opaque
Selettore By-pass / BY-pass selector	P.O.M.
Coparchio selettore / selector cover	P.O.M.
O-ring / O-ring	NBR
Vaso con valvola di scarico a richiesta TTTT	(D)
Pressione max. d'esercizio / Max. working pressure	6 bar (90 psi)
Temperatura max. in esercizio continuo / Max. temperature continuous service	40° c



Mod./ Mod	A mm	B mm	C BSP	Imballo - pack m²	
JUMBO BY-PASS 10"	198	374	1-11/2	6	0.14
JUMBO BY-PASS 20"	198	832	1-11/2	4	0.14

mod./mod  
**JUMBO**

- CONTENITORI IN 3 PEZZI
- 3 PIECE HOUSING

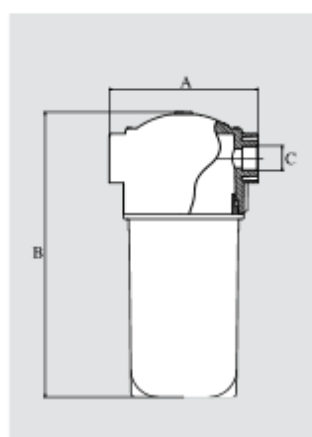
mod./mod **JUMBO BSP/NPT** mod./mod **JUMBO DRAIN BSP/NPT**

Valvola di sfogo pressione in plastica/ plastic pressure relief valve

	Ingressi / Inlet	Diam./Ø - Diam./Ø	Vaso / bowl
1	Plastica / Plastic	1" (BSP-NPT)	10"/SAN
	Plastica / Plastic	1 1/2" (BSP-NPT)	10"/SAN
	Plastica / Plastic	1" (BSP-NPT)	10"/PP
2	Plastica / Plastic	1 1/2" (BSP-NPT)	10"/PP
3	Plastica / Plastic	1" (BSP-NPT)	20"/PP
	Plastica / Plastic	1 1/2" (BSP-NPT)	20"/PP
4	Inserti ottone / brass Inserts	1" (BSP-NPT)	10"/SAN
	Inserti ottone / brass Inserts	1 1/2" (BSP-NPT)	10"/SAN
5	Inserti ottone / brass Inserts	1" (BSP-NPT)	10"/PP
	Inserti ottone / brass Inserts	1 1/2" (BSP-NPT)	10"/PP
6	Inserti ottone / brass Inserts	1" (BSP-NPT)	20"/PP
	Inserti ottone / brass Inserts	1 1/2" (BSP-NPT)	20"/PP

Dati tecnici / technical data

Testa / Head	Polipropilene talco / Talc polypropylene
Ghiera / Ring nut	Polipropilene talco / talc polypropylene
Vaso / Bowl	SAN trasparente / SAN clear transparent. PP opaco bianco / PP white opaque
Selettore By-pass / BY-pass selector	
Coperchio selettore / selector cover	
O-ring / O-ring	NBR
Vaso con valvola di scarico a richiesta Optional bowl drain	(D)
Pressione max. d'esercizio / Max. working pressure	6 bar (90 psi)
Temperatura max. in esercizio continuo / Max. temperature continuous service	40° c



Mod./ Mod	A mm	B mm	C BSP	Imballo - pack No.	pack m³
1 JUMBO 10"	198	374	1-11/2	6	0.14
2 JUMBO 20"	198	632	1-11/2	4	0.14

